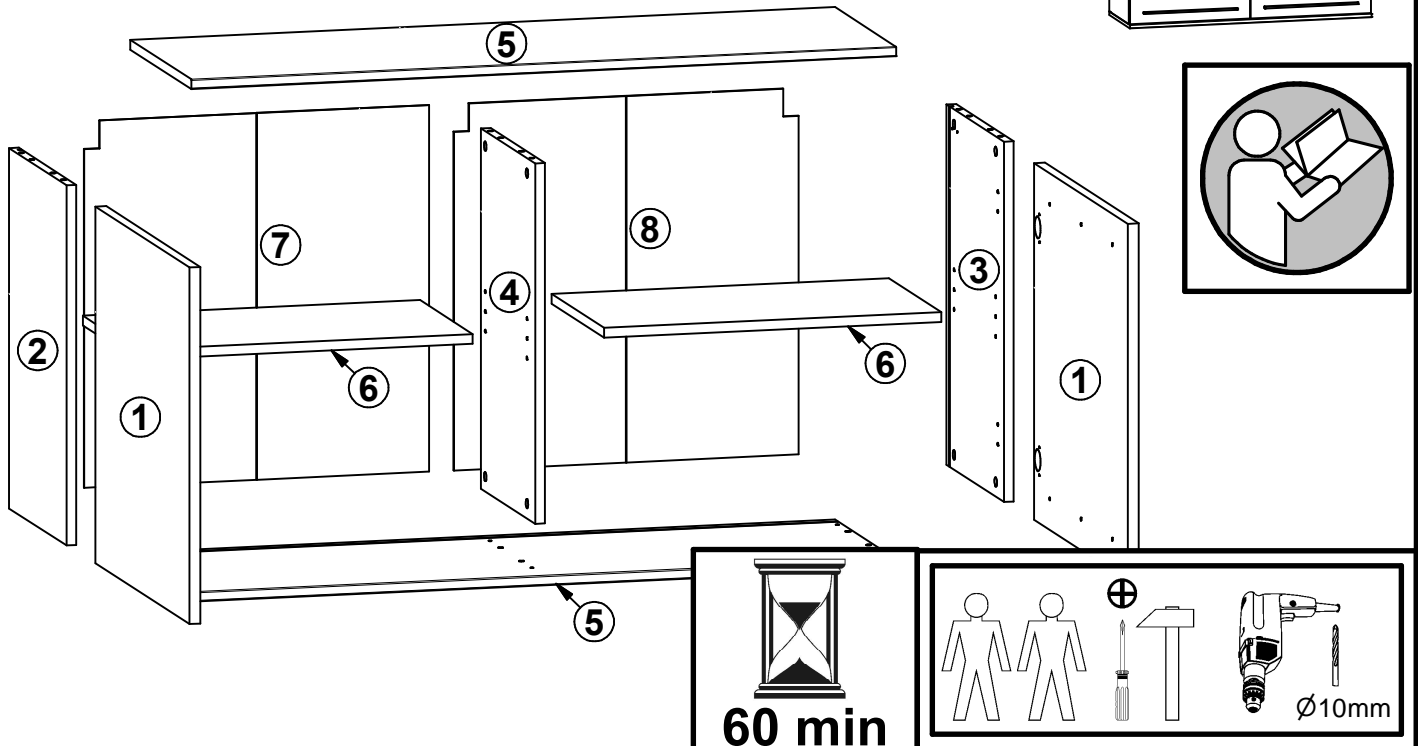
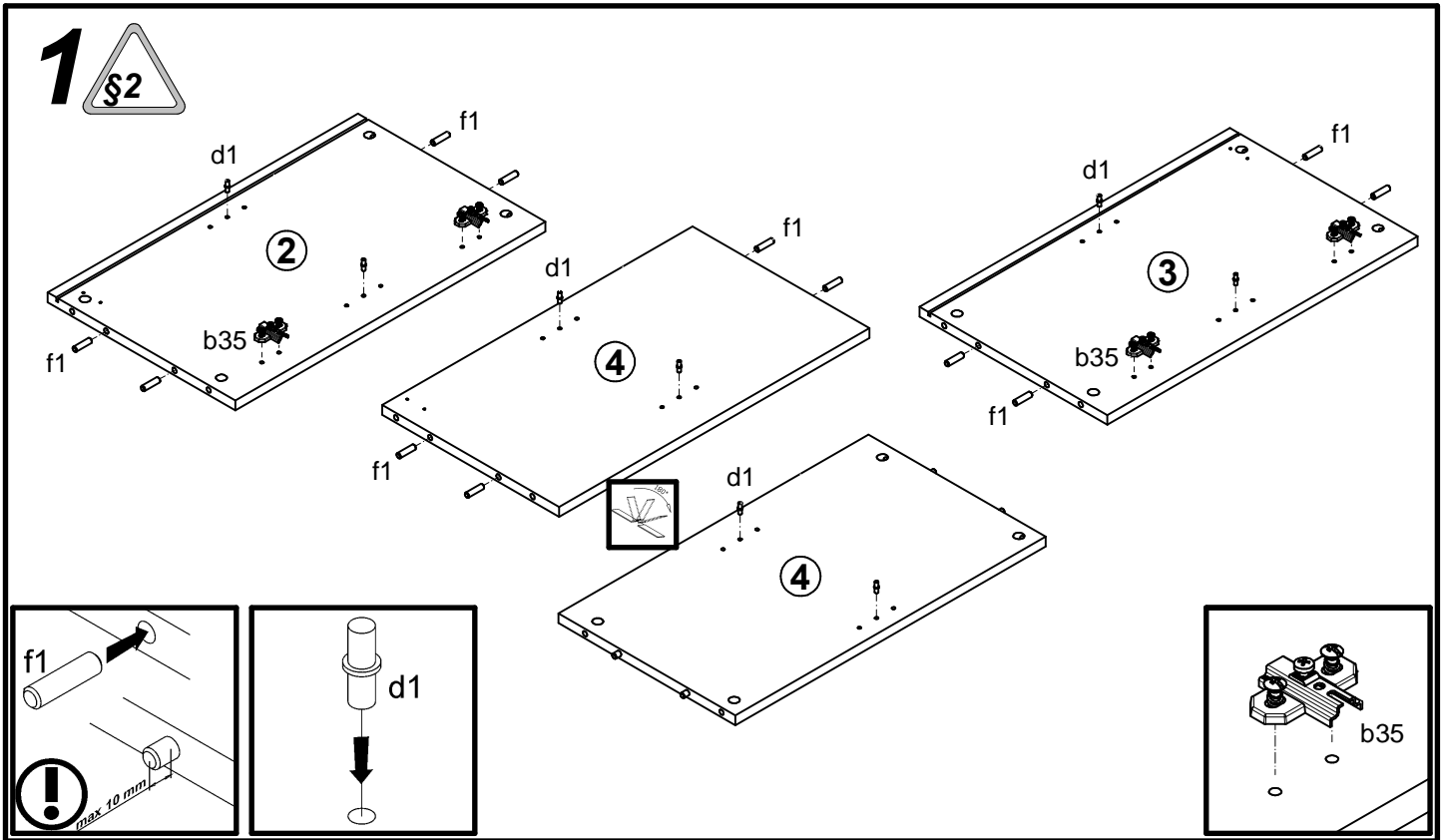


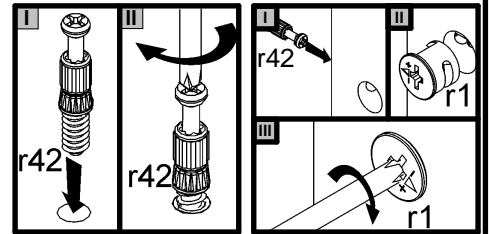
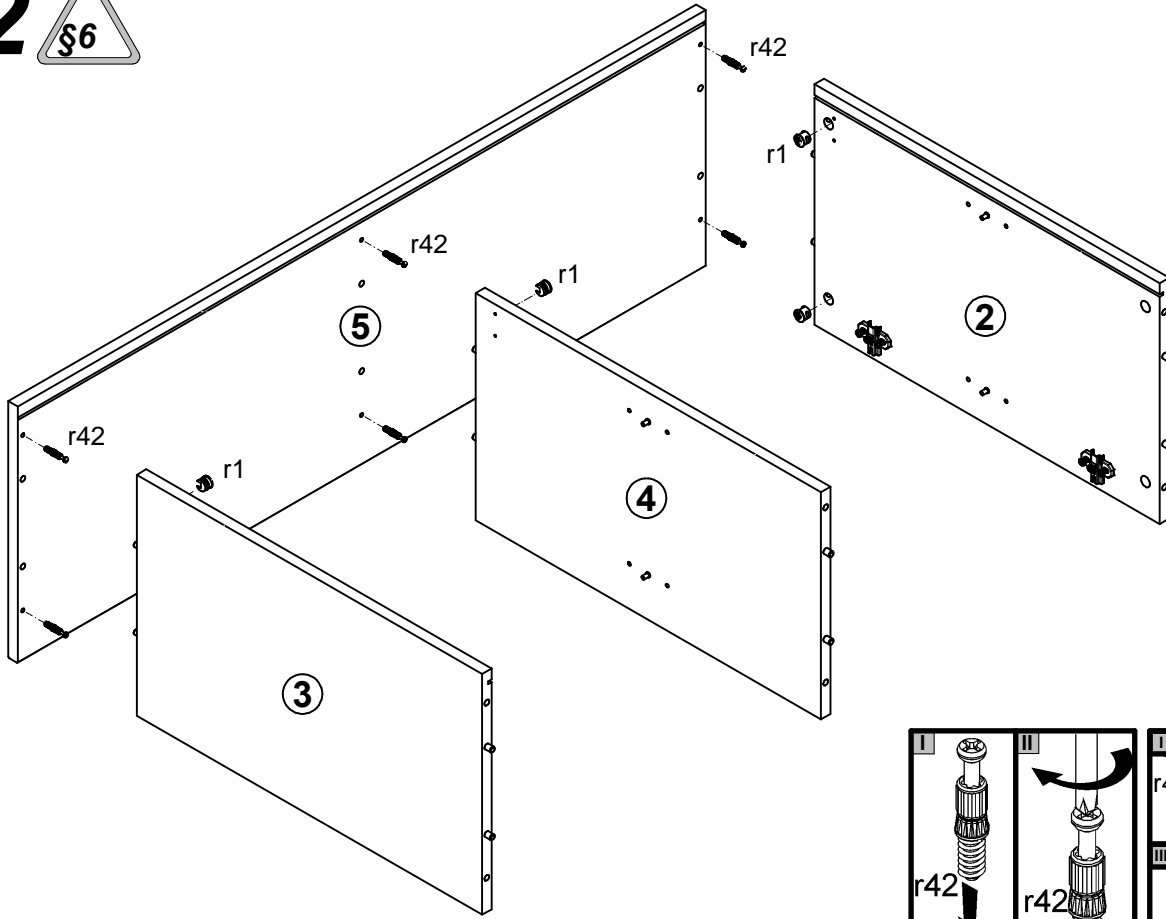
| A | B | C | D | A | B | C | D | | |
|---|----------|-----|-----|-----|---|-----------|------|-----|-----|
| 1 | S143-008 | 576 | 576 | 2/2 | 5 | S143-203 | 1159 | 375 | 1/2 |
| 2 | S143-110 | 582 | 352 | 1/2 | 6 | S143-307 | 555 | 322 | 1/2 |
| 3 | S143-111 | 582 | 352 | 1/2 | 7 | S143-9904 | 592 | 567 | 1/2 |
| 4 | S143-112 | 582 | 332 | 1/2 | 8 | S143-9905 | 592 | 567 | 1/2 |



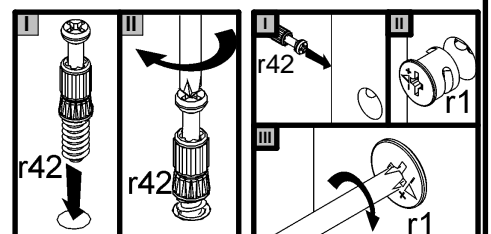
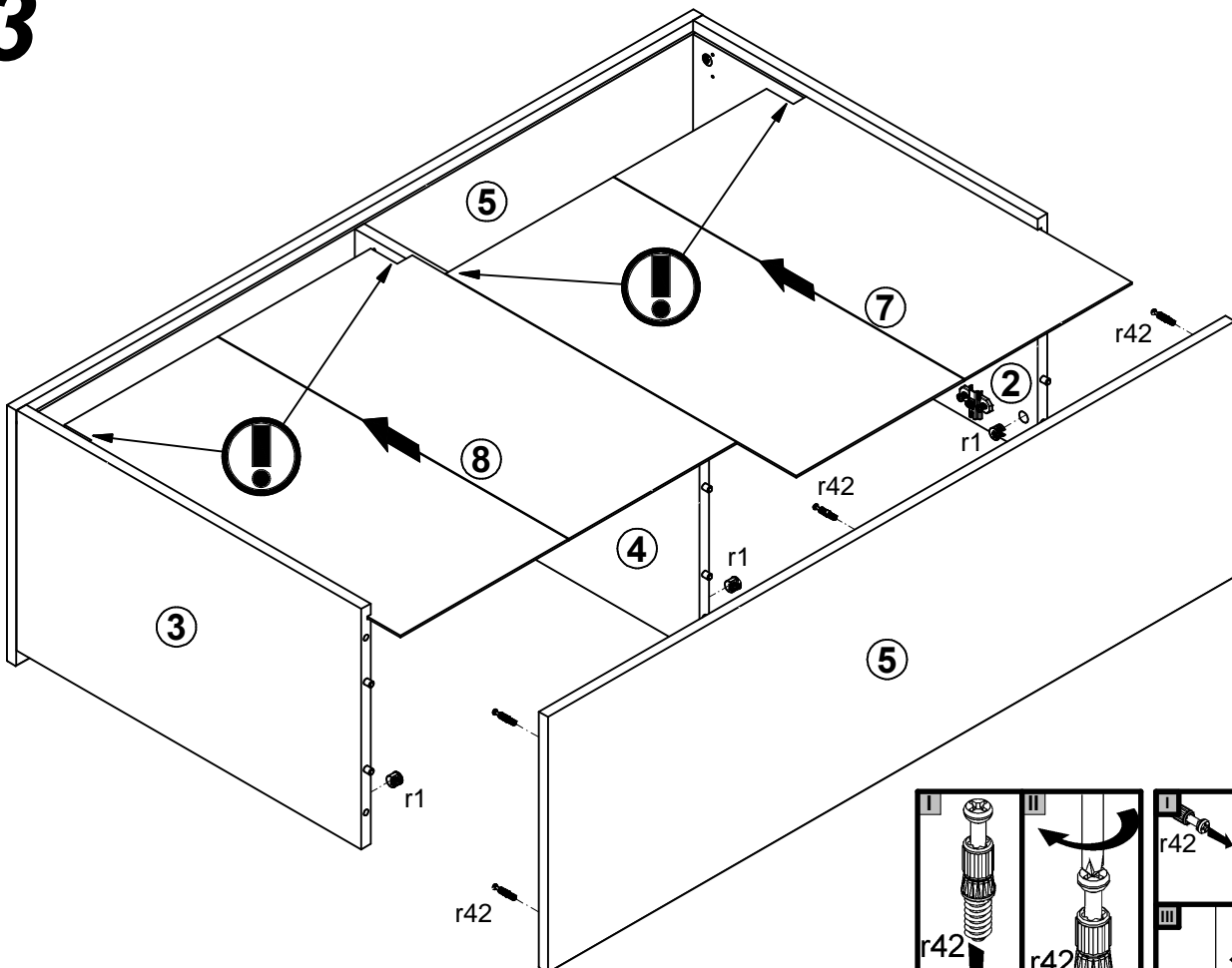
- 4x a44
- 4x b35
- 2x c223l8 (446 mm)
- 8x d1 (φ5x17 mm)
- 12x f1 (φ8x30 mm)
- 3x f35 (φ10x50 mm)
- 15x l1
- 12x l2
- 2x n38lL
- 1x n38lP
- 4x silikon o21
- 6x p114
- 6x p21 (φ4x30 mm)
- 8x p51 (φ3.5x15 mm)
- 3x p75 (φ6x60 mm)
- 12x r1 (φ1.5x12mm #16)
- 12x r42
- 10x s2 (ø16)



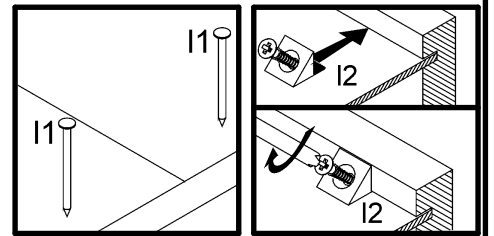
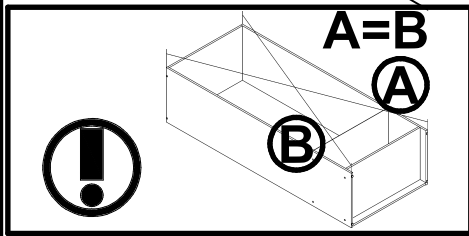
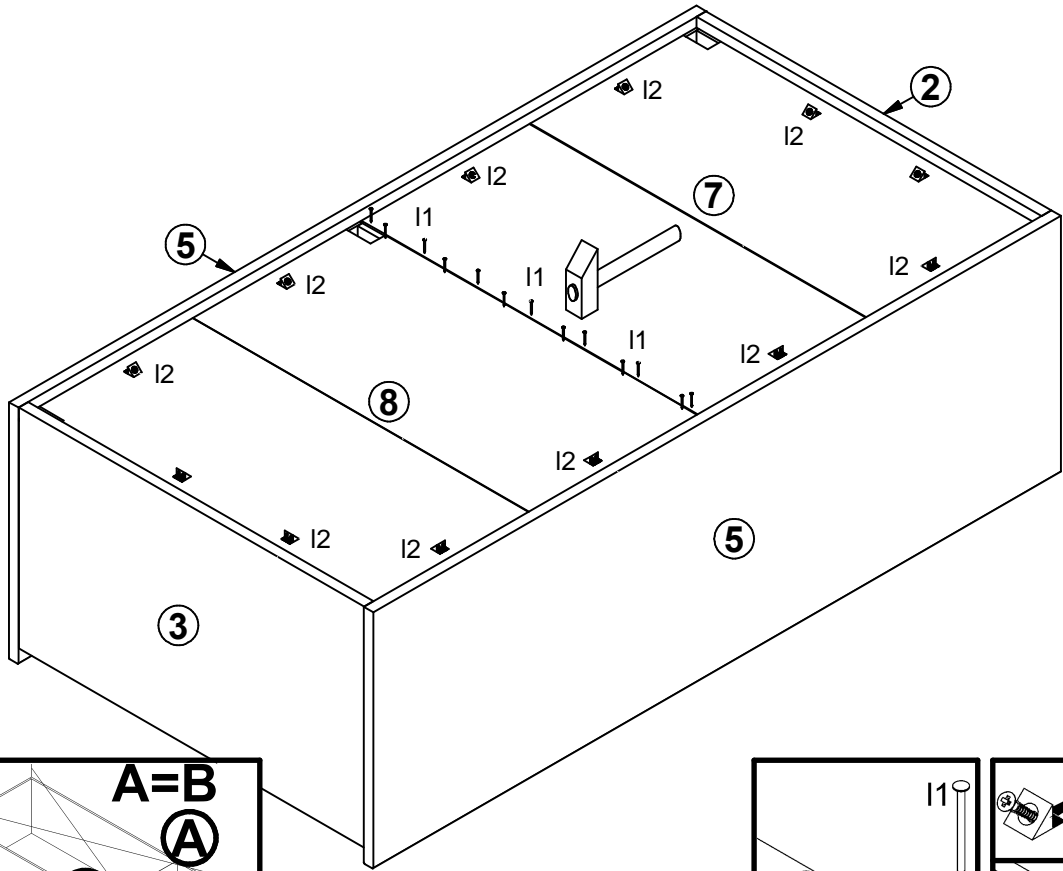
2



3



4



5

